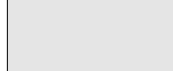

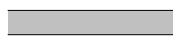

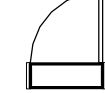
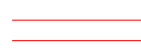


10 9 8 7 6 5 4 3 2 1

LEGEND

	NOT IN SCOPE		PROPOSED ITEMS(HEAVY LINE WEIGHT)
	EXISTING ITEMS		EXISTING DOOR AND FRAME TO REMAIN
	NEW DOOR AND FRAME		DEMO ITEMS

A
B
C
D
E
F
G
H



Brady Sullivan Properties
 670 N. Commercial Street
 Manchester, nh 03101
 603.622.6223



Owner
BRADY SULLIVAN PROPERTIES
 MANCHESTER NH

Project
2 COMMERCE DRIVE
 BEDFORD, NH

SUITE 206
 11,367 SF

Seals

Issues	
Date	Description

Revisions		
No.	Date	Description

Drawing Title

Issue Date:	6-17-2021
Project No:	Scale: As Indicated
Project Manager:	Production Leader:
Project Architect:	Peer Reviewer:

Drawing Number
A.110

1 SUITE 206
 3/16" = 1'-0"

10 9 8 7 6 5 4 3 2 1

1/24/2023 11:26:32 AM